

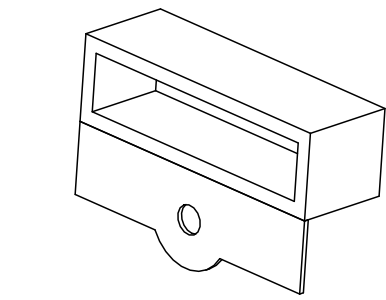
E L I S



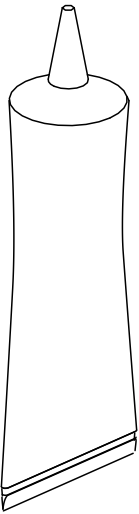
design

Návod na montáž

Postel Domeček Clasic

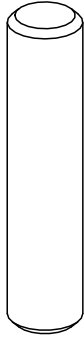


P



G

Lepidilo



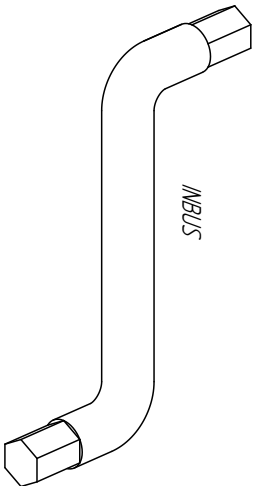
K10

M10x4,5



K8

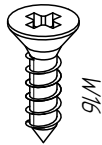
M8x4,0



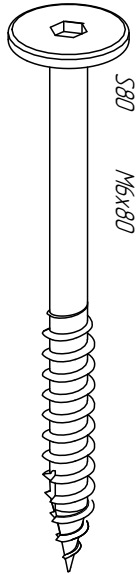
INBUS



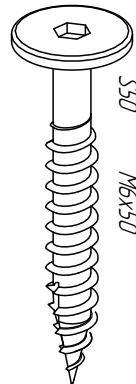
W30
M4x30



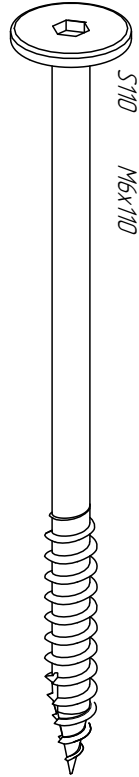
W16
M4x16



S80
M6x80



S50
M6x50



S110
M6x110

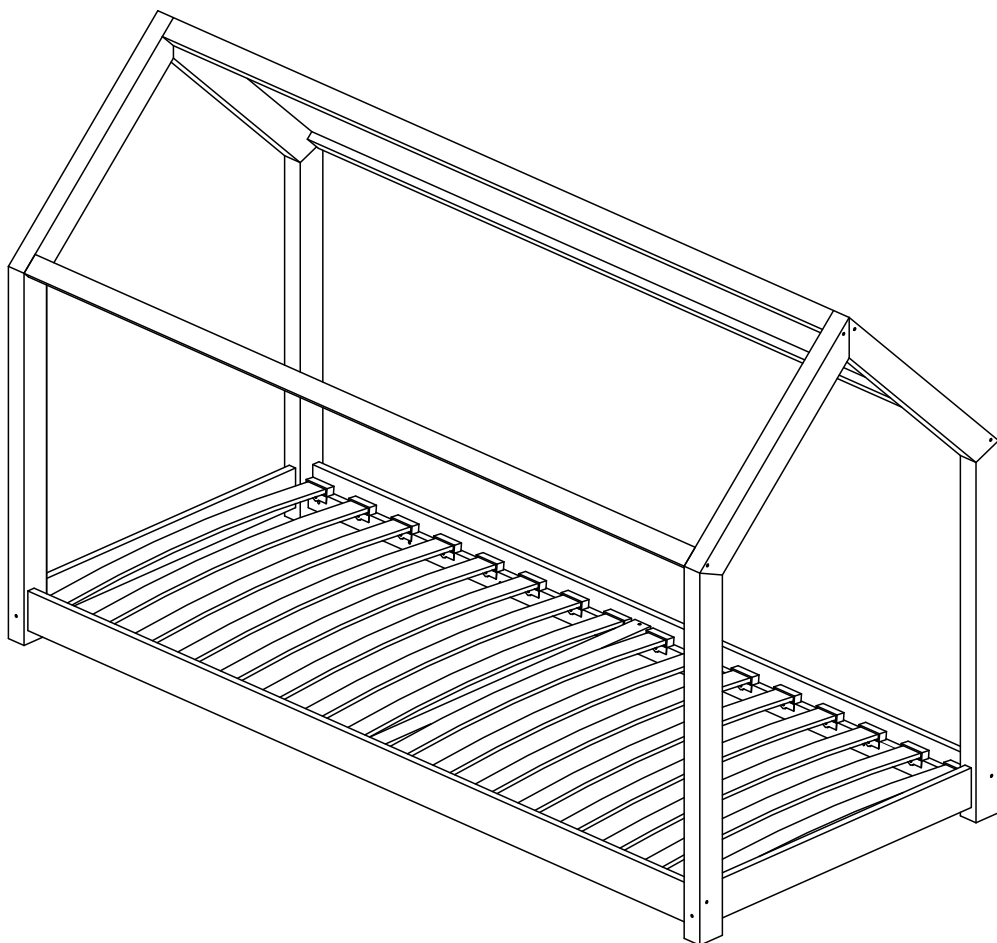
- S110 - x4
- S80 - x12
- W30 - x14
- W16 - x32
- P - x32
- K10 - x20
- G - x3
- INBUS - x1

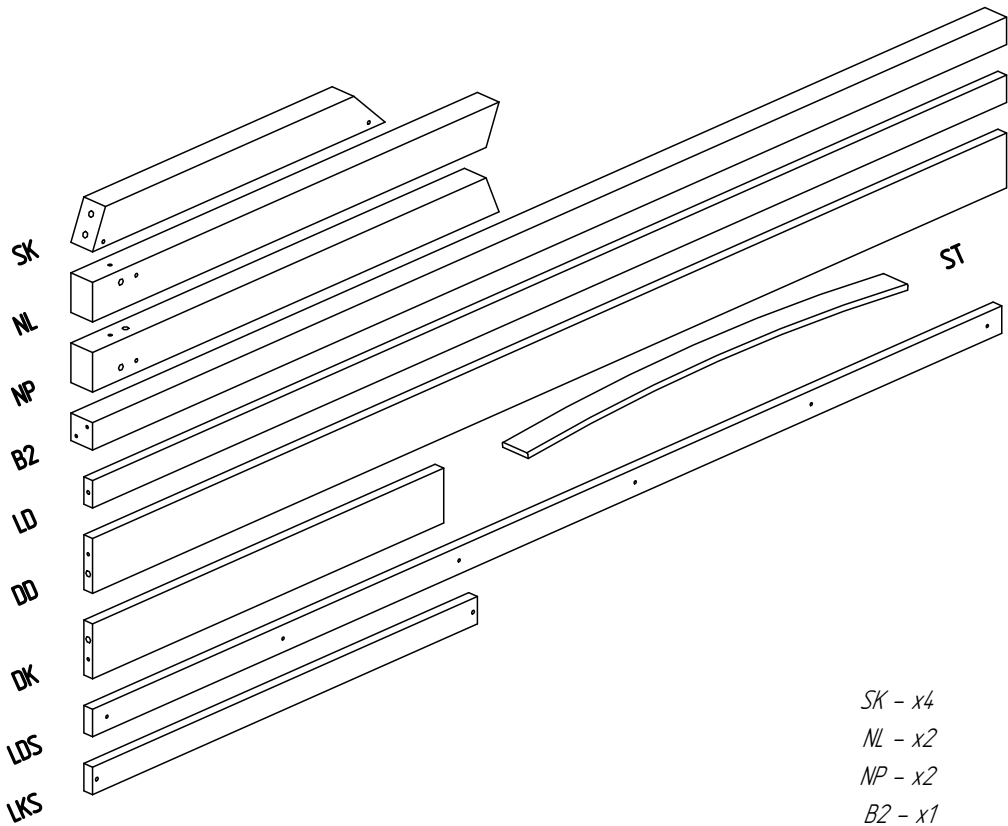
Postel Domeček Clasic

60x120 70x140 70x160 80x140 80x160

80x180 80x190 80x200

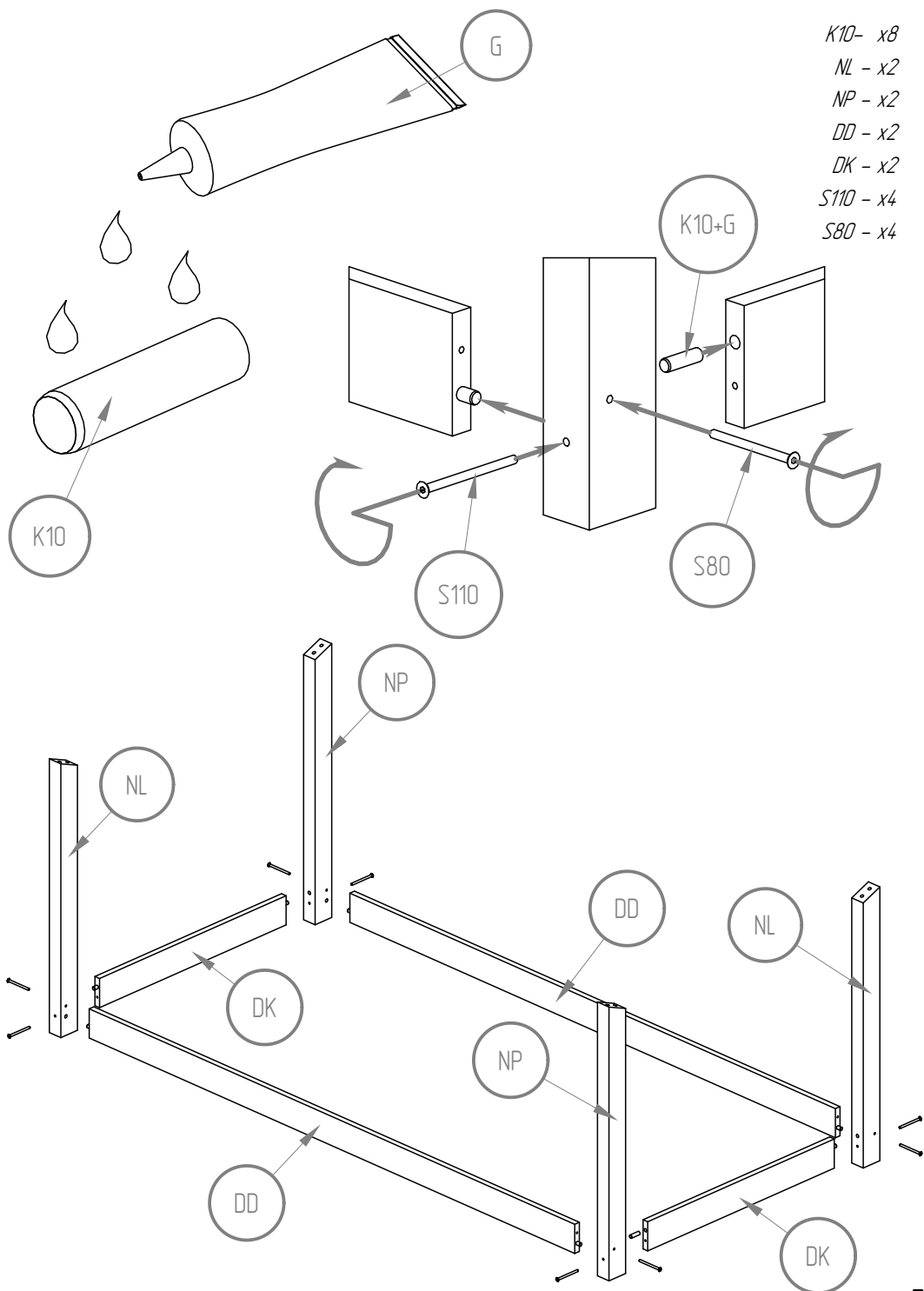
90x140 90x160 90x180 90x190 90x200

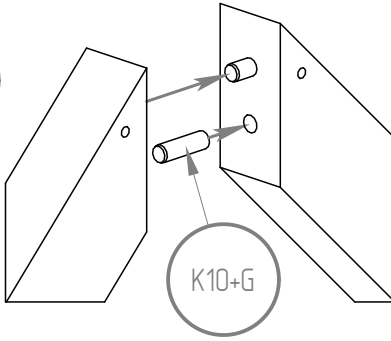
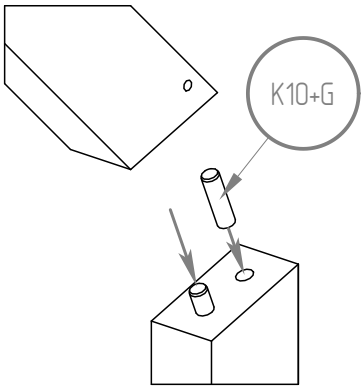




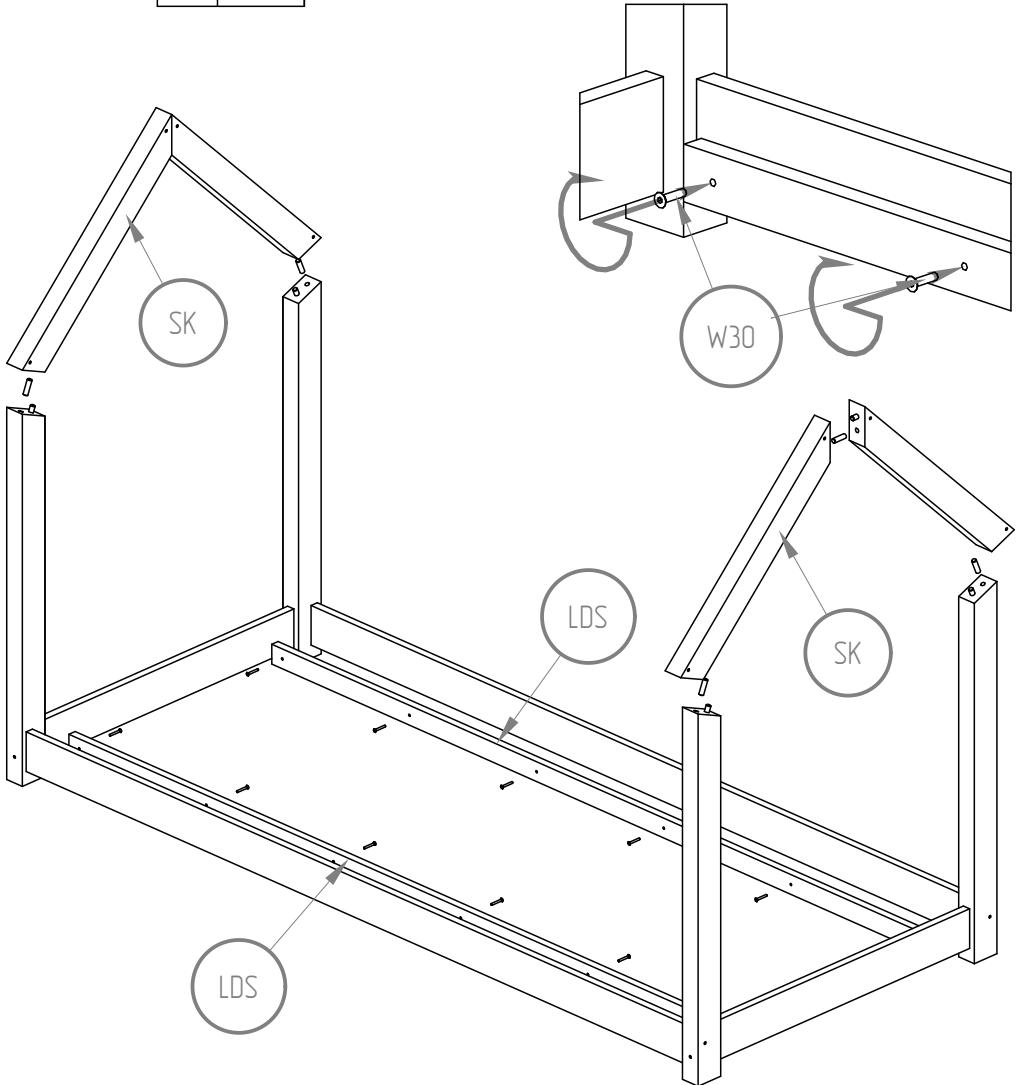
- SK - x4
- NL - x2
- NP - x2
- B2 - x1
- LD - x2
- DD - x2
- DK - x2
- LDS - x2
- LKS - x1
- ST - x16

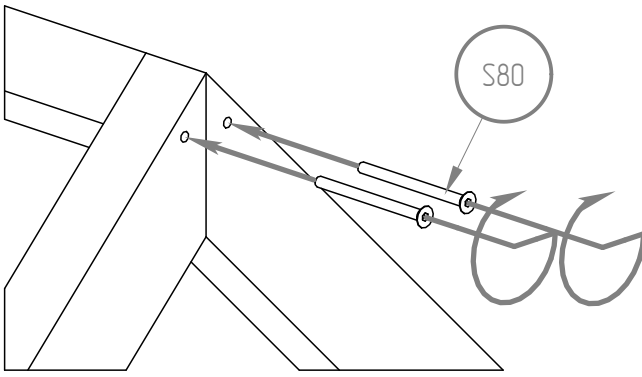
- K10- x8
- NL - x2
- NP - x2
- DD - x2
- DK - x2
- S110 - x4
- S80 - x4



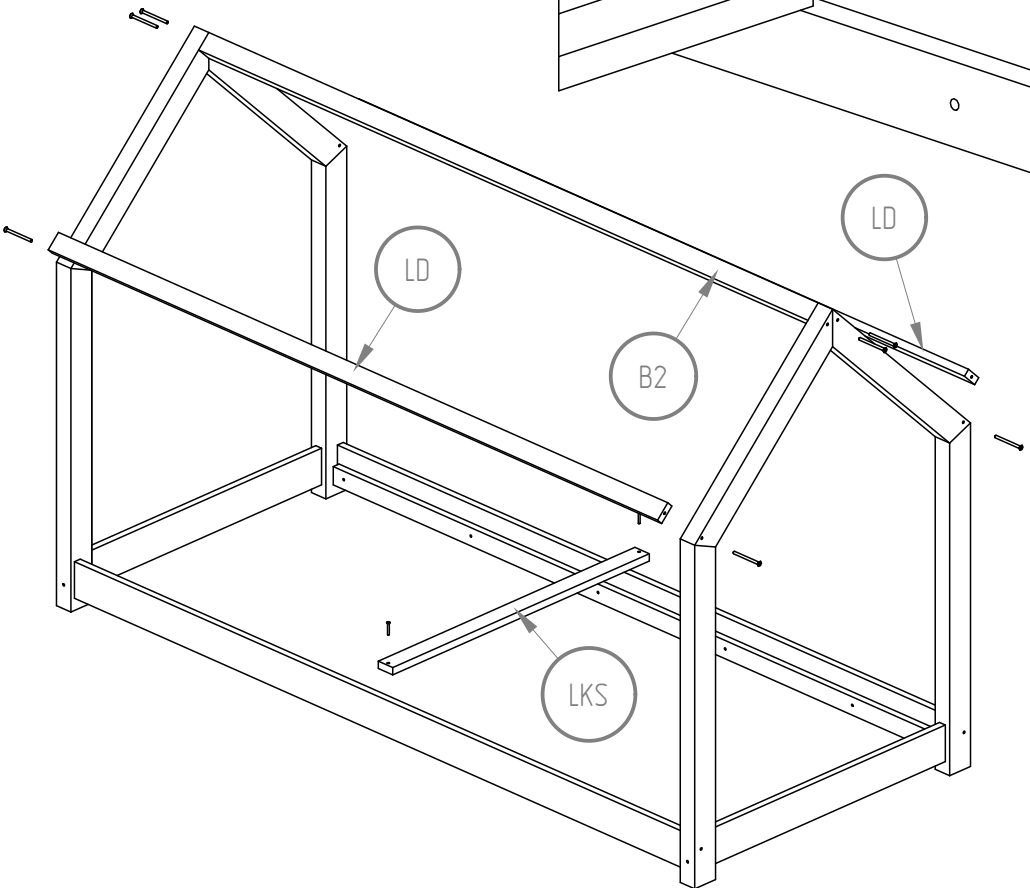
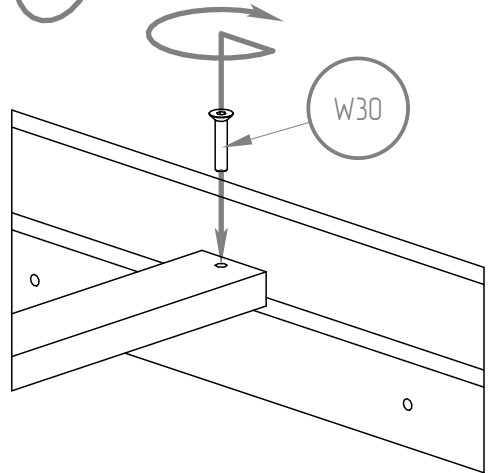


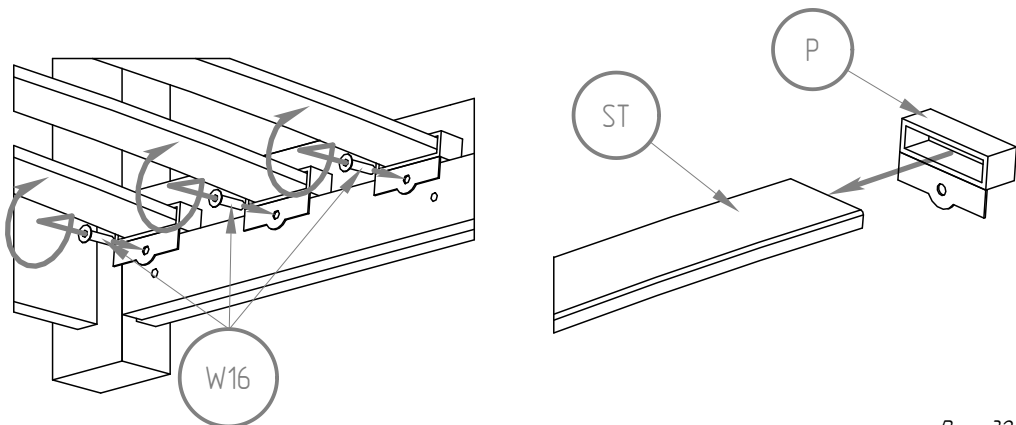
K10 - x12
ST - x4
LDS - x2
W30 - x12





B2 - x1
LD - x2
LKS - x1
S80 - x8
W30 - x2

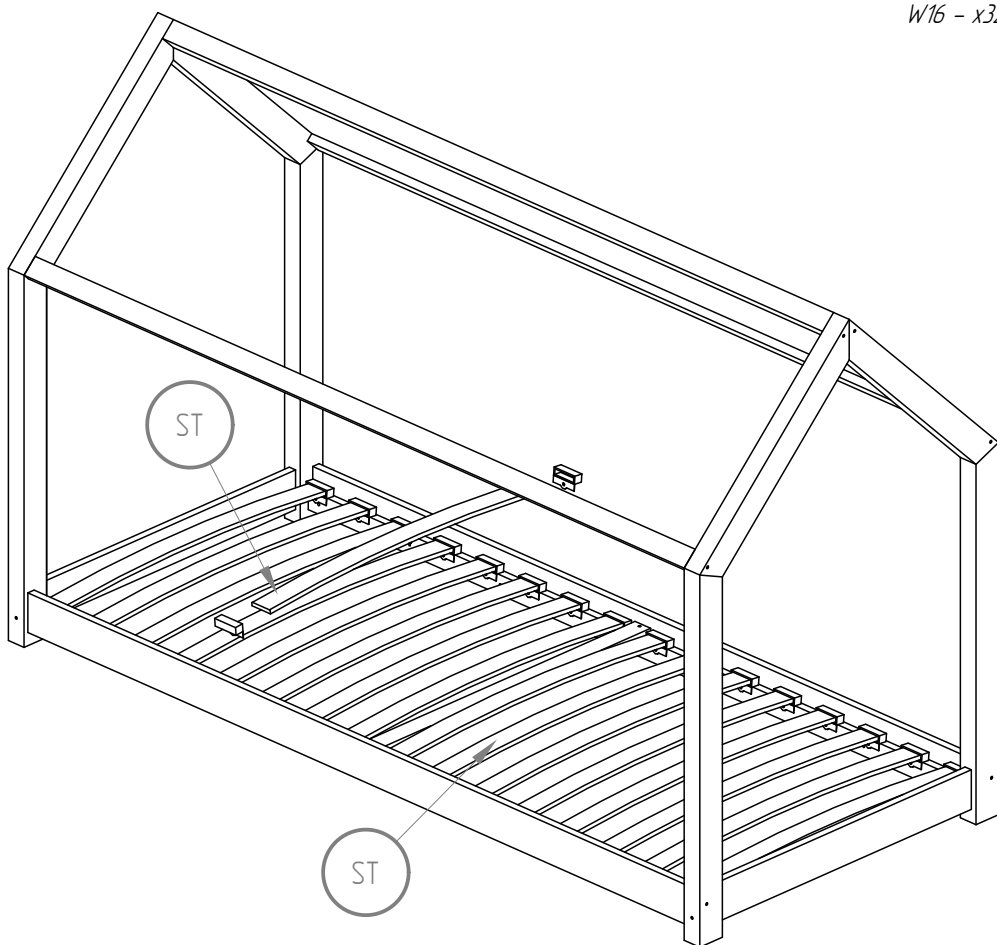




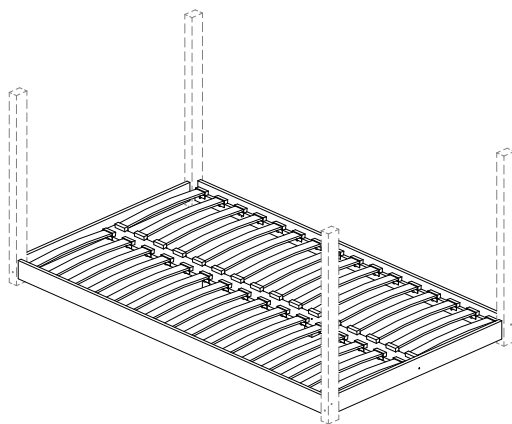
P - x32

ST - x16

W16 - x32



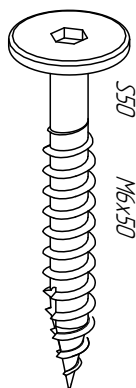
**Instalace postelí o šířce přes 90 cm,
doplňujeme tuto instrukci.**



K10
M10x4,5



W30
M4x30

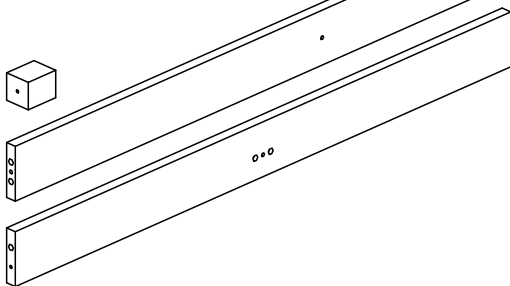


S50
M6x50

NWZ

WZ

DKW2



+ SIZE

NWZ - x2

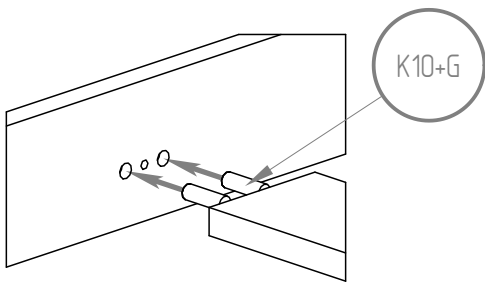
WZ - x1

DKW2 - x2

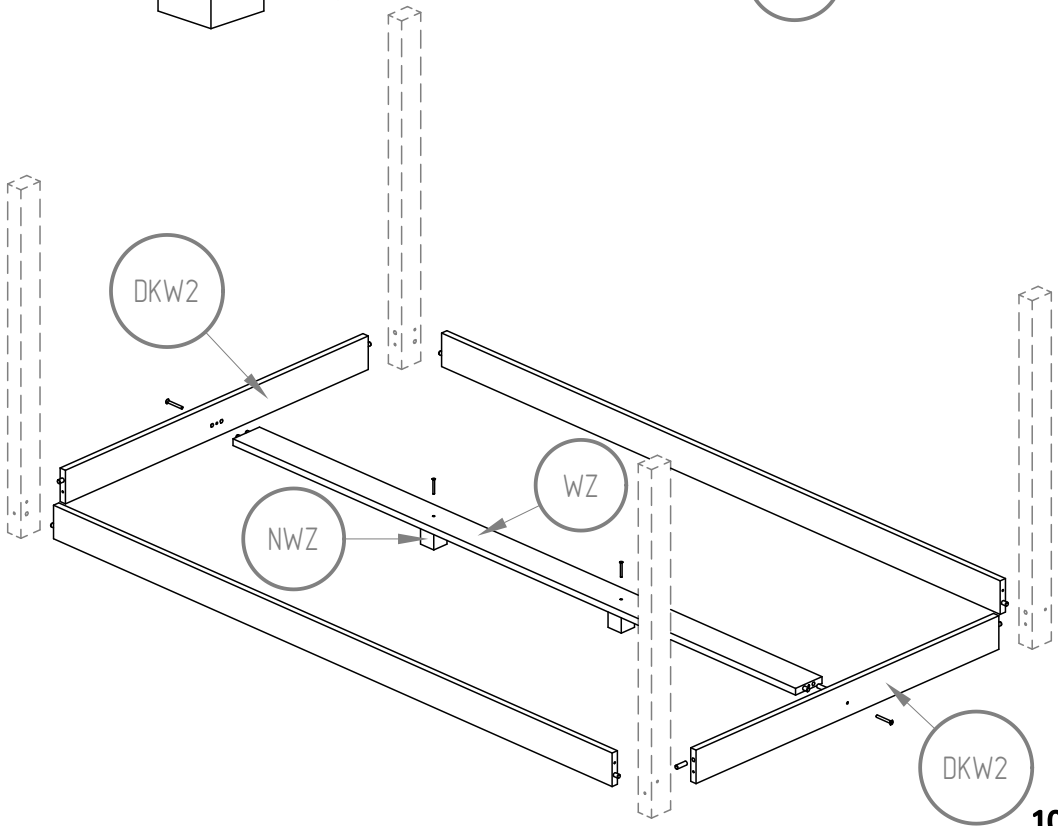
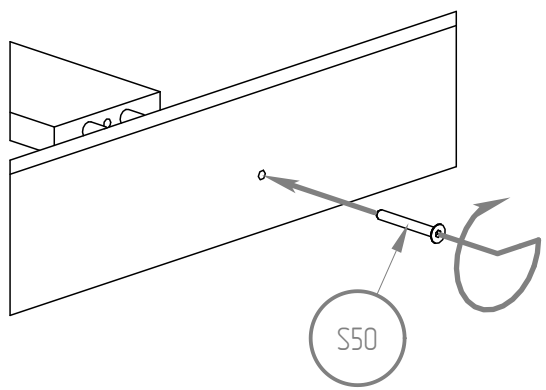
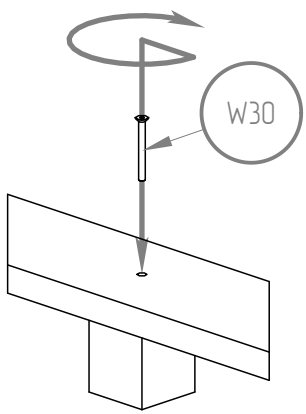
K10 - x4

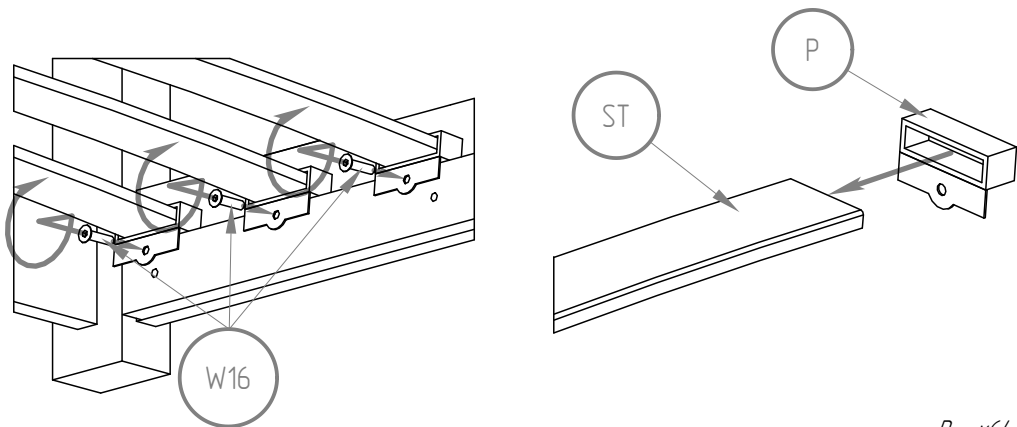
W30 - x2

S50 - x2



- K10 - x4*
- NWZ - x2*
- WZ - x1*
- DKW2 - x2*
- S50 - x2*
- W30 - x2*





P - x64

ST - x32

W16 - x64

